

J2080 Double Balanced Mixer

2.0 to 8.0 GHz

Technical Characteristics



Product Features	Maximum Ratings
Multi-octave bandwidth	Storage Temperature: -65 to +150°C
Broad frequency - input and output	Operating Temperature Peak: -55 to +125°C
Wide DC to IF frequency response	Peak Input Power For Any Single Port: +23dBm Peak
Low conversion loss	Peak Input Power For Any Port: +26dBm peak
High port-to-port isolation	Peak Input Current @ +25° C: 100mA

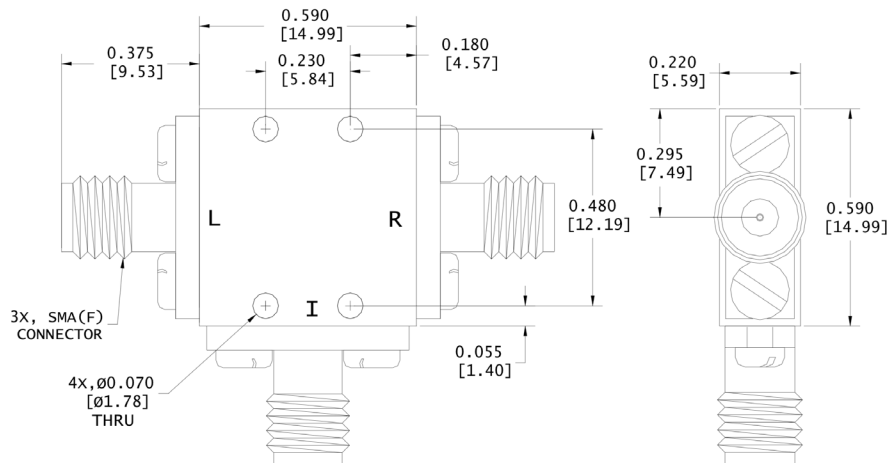
Parameters	Freq. (GHz)	Minimum	Typical	Maximum	Units	Conditions
Conversion Loss						
RF Input	2.0 to 8.0		5.5	6.5	dB	IF = 100 MHz
LO Input	2.0 to 8.0		6.0	7.0	dB	IF = 1000 MHz
IF Output	DC to 2.0		6.5	8.5	dB	IF = 2000 MHz
Conversion Flatness						
Isolation						
LO-RF	2.0 to 8.0	25.0	35.0		dB	
LO-IF	2.0 to 8.0	18.0	25.0		dB	LO = 2.0 to 5.5 GHz
RF-IF			20.0		dB	
VSWR						
1dB Comp.Point						
J2080L			4.0		dBm	
J2080M			14.0		dBm	
J2080H			4.0		dBm	
J2080N			4.0		dBm	
LO Drive						
J2080L		7.0	9.0	13.0	dBm	
J2080M		9.0	10.0	13.0	dBm	
J2080H			16.0		dBm	
J2080N			13.0		dBm	
Input TOIP						
J2080L			11.0		dBm	
J2080M			14.0		dBm	
J2080H			17.0		dBm	
J2080N			14.0		dBm	

NOTES:

1. Measured in a 50 ohm system with nominal LO drive and downconverter application only, unless otherwise specified. The I-port frequency range extends to DC for phase detection, pulse modulation, or attenuator applications. I-port VSWR degrades from a 50 Ω system at LO-IF frequencies.

2. Typical values are measured at +25°C and are not guaranteed.

Package outline Z



1

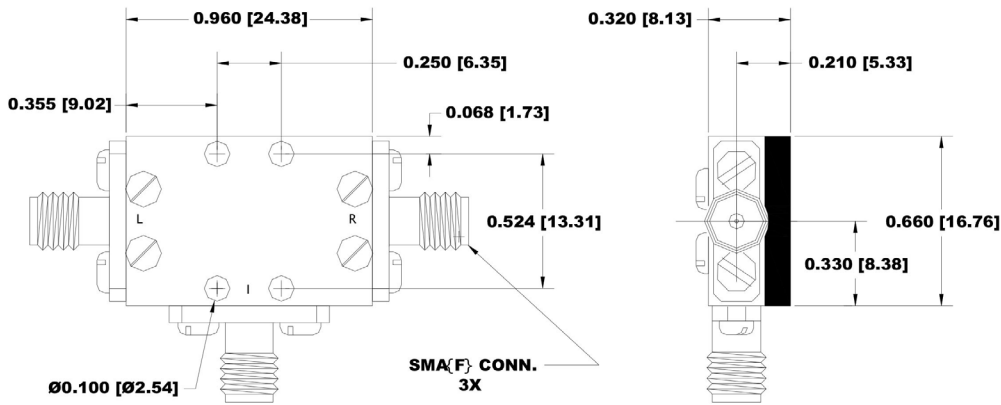
DISCLAIMER: Subject to change without notice.

J2080 Double Balanced Mixer

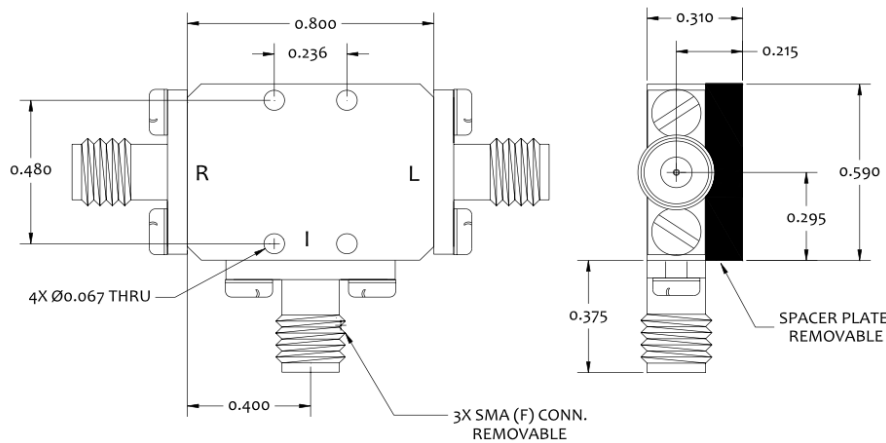
2.0 to 8.0

Outline Drawings 1 of 2

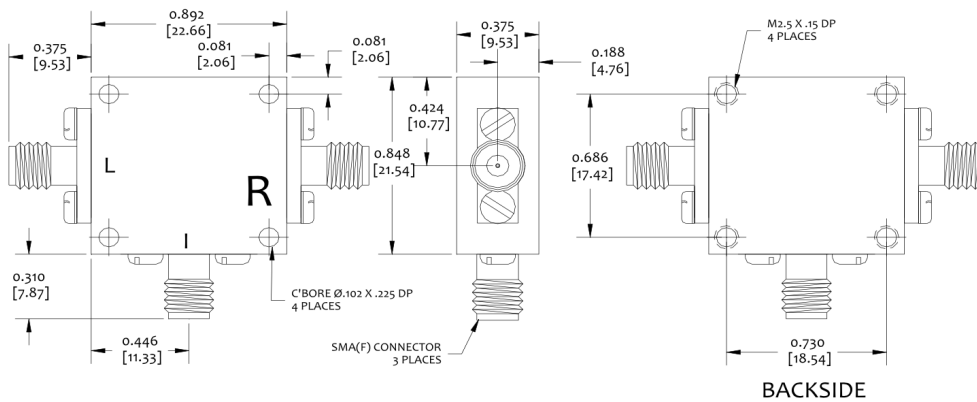
Coaxial Package outline 'B'



Coaxial Package outline 'L'



Coaxial Package outline 'C'

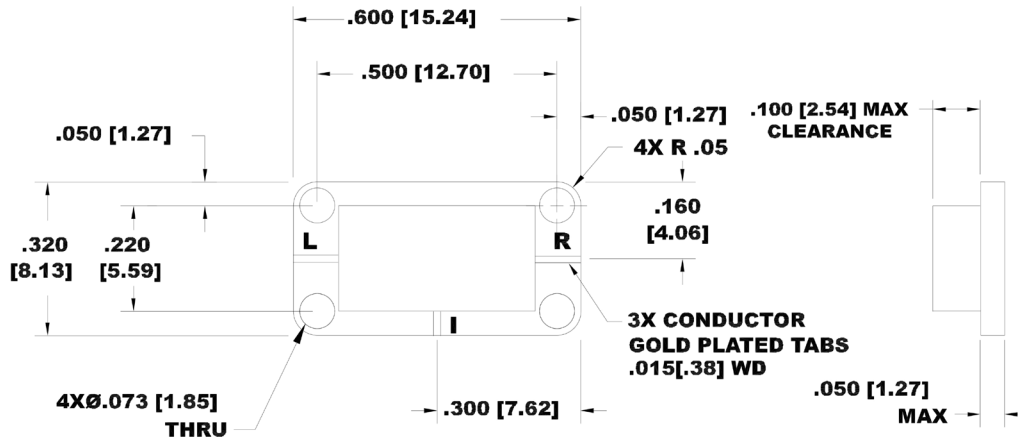


J2080 Double Balanced Mixer

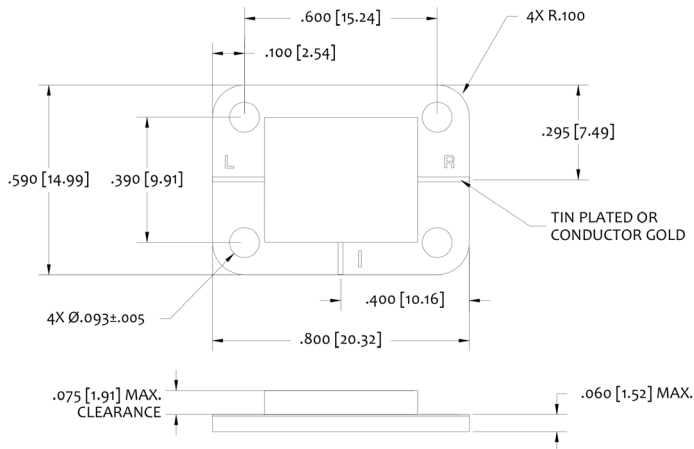
2.0 to 8.0

Outline Drawings 2 of 2

Drop in Package outline 'E1'



Drop in Package outline 'F1'



Drop in Package outline 'ZX'

